



**Product features:**

- Metal construction throughout
- Quarter turn handle action for precise flow control
- Minimalist planate design form
- Supplied with fixed 3/4" inlets for maximum stability and flow
- A modern design classic style

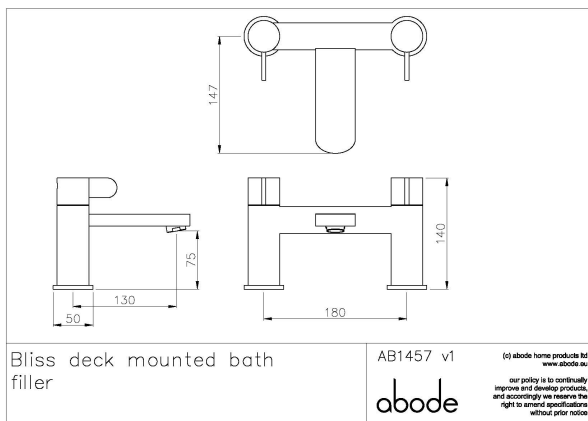
**Packaged properties:**

Box length (mm): 280      Box depth(mm): 170  
Box width(mm): 210      Boxed weight (Kg): 3.3

Includes pop up waste?: No

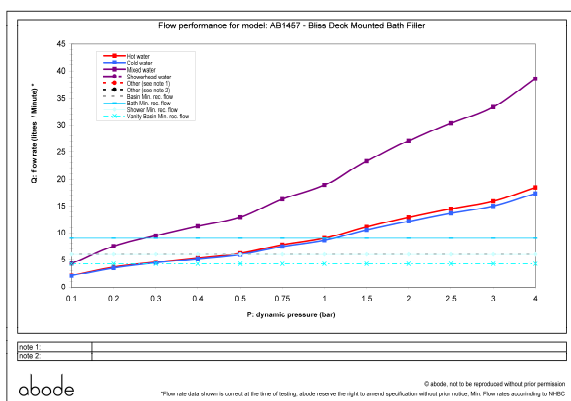
Additional comments:

**Product dimensions:**



- Product mounted where: Surface
- Recommended hole size: 35 mm
- Overall Height / projection: 140 mm
- Exit reach: 130 mm
- Exit height: 75 mm
- Base size: 50 mm
- Inlet centre distance(s): 180 mm
- Min. fitting depth required: n/a mm
- Max. surface depth: 45 mm

**Product flow characteristics:**



- Min / Max water pressure (bar): 0.50\* / 5.50
- Part G max. mixed flow rate at 3 bar (l/m): 33.36
- Inlet connection type / length: Fixed / 53 mm
- Inlet (plumbing connection) / outlet size: 3/4" M / N/A
- Product flow characteristics: Single Flow
- Non return valve(s) supplied or position: No
- Aerator type: Grey flow straightener
- Control valve type: 3/4 QT CD (8-20)
- Includes output diverter?: N/A
- Inlet meshed particle filters included: N/A
- Shower hose type / length: N/A / N/A

**Warranty Summary** (full details available on request):

- Materials and workmanship defects warranted for 5 years
- Valves and working parts warranted for 5 years
- Surface warranty defects warranted for 1 year
- O-rings, hoses & gaskets warranted for 1 year

**Care instructions:**

- Clean the mixers and showers regularly as required, using soap, do not use any other cleaners.
- Regular cleaning will prevent the build up of lime scale and dirt
- After cleaning rinse thoroughly with clean water to remove any cleaner residue
- Residues of liquid soaps, shampoos and shower foams can also cause damage, so rinse with clean water after using, avoid contact with any abrasives