



Product features:

- Metal construction throughout
- Custom designed for lower pressure
- Solid and functional Germanic design styling
- Supplied complete with flexible tail pipes for fast simple fitting
- Antisplash spout supplied as standard

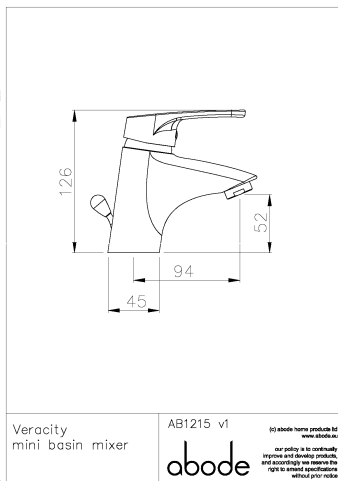
Packaged properties:

Box length: 395 mm Box depth: 95 mm
 Box width: 165 mm Boxed weight: 1.89 kg

Includes pop up waste?: **Yes**

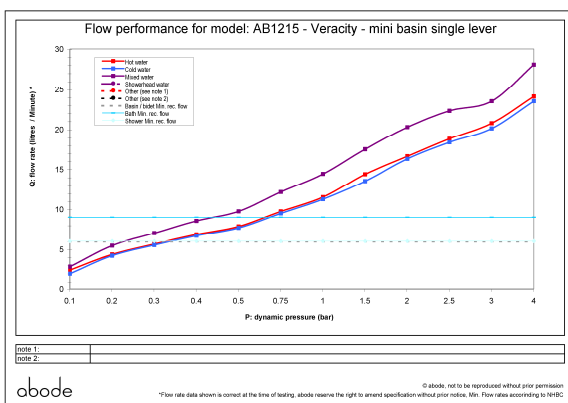
Additional comments:

Product dimensions:



- Overall Height / projection: 126 mm
- Exit reach: 94 mm
- Exit height: 52 mm
- Centre distance(s):
- Base diameter(s): 45 mm
- Product mounted where: Surface
- Recommended hole diameter:
- Min. fitting depth required:
- Max. surface depth: 55 mm

Product flow characteristics:



- Min / Max water pressure: 0.25 / 5 bar
- Part G mixed flow rate at 3 bar (l/m): 23.5
- Max water temperature: 70° C
- Product flow characteristics: Single flow
- Aerator type: White flow straightener
- Includes output diverter?: No
- Control valve type: Single lever (35mm)
- Non return valve position:
- Mesh particle filter size:
- Inlet / outlet size: 1/2" F / m10
- Inlet type / length: Flexible / 380 mm
- Shower hose type / length:

Warranty Summary (Full details available on request):

- Materials and workmanship defects warranted for 5 years
- Valves and working parts warranted for 2 years
- Surface warranty defects warranted for 1 year
- O-rings, hoses & gaskets warranted for 1 year

Care instructions:

- Clean the mixers and showers regularly as required, using soap, do not use any other cleaners.
- Regular cleaning will prevent the build up of lime scale and dirt
- After cleaning rinse thoroughly with clean water to remove any cleaner residue
- Residues of liquid soaps, shampoos and shower foams can also cause damage, so rinse with clean water after using, avoid contact with any abrasives