



### Product features:

- Metal & ABS construction
- Custom designed for lower range pressures
- Single spray pattern showerhead
- Self cancelling diverter included for maximum flexibility
- Rub clean anti limescale spray nozzles

### Packaged properties:

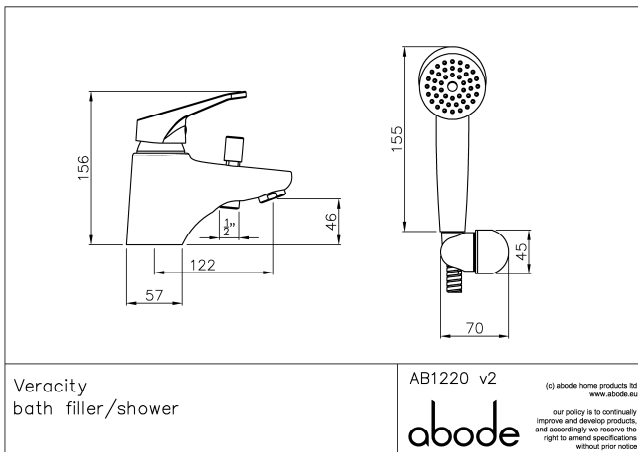
**Box length:** 395 mm      **Box depth:** 95 mm  
**Box width:** 165 mm      **Boxed weight:** 2.80 kg

**Includes pop up waste?:** No

### Additional comments:

Rounded fixed shower bracket

### Product dimensions:



- **Overall Height / projection:** 156 mm
- **Exit reach:** 122 mm
- **Exit height:** 46 mm
- **Centre distance(s):**

- **Base diameter(s):** 57 mm
- **Product mounted where:** Surface
- **Recommended hole diameter:** 35 mm
- **Min. fitting depth required:**
- **Max. surface depth:** 100 mm

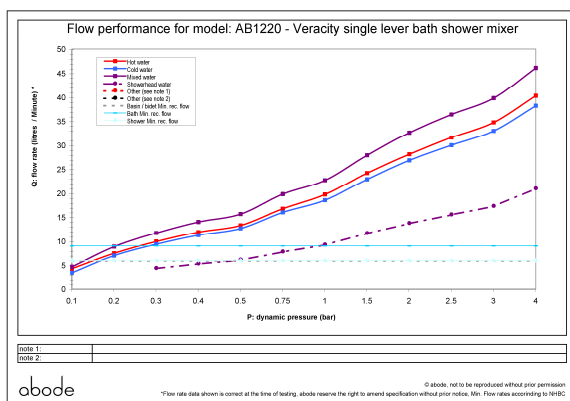
Veracity  
bath filler/shower

AB1220 v2

abode

(c) abode home products ltd  
www.abode.eu  
Our policy is to continually improve and develop products, and accordingly we reserve the right to amend specifications without prior notice

### Product flow characteristics:



- **Min / Max water pressure:** 0.2 bath & 0.3 shower / 5 bar
- **Part G mixed flow rate at 3 bar (l/m):** bath=39.8, shower=17.35

- **Max water temperature:** 70° C
- **Product flow characteristics:** Single flow
- **Aerator type:** White flow straightener
- **Includes output diverter?:** Yes
- **Control valve type:** Single lever (45mm)
- **Non return valve position:**
- **Mesh particle filter size:**
- **Inlet / outlet size:** Ø15 / m16
- **Inlet type / length:** Copper / 300 mm
- **Shower hose type / length:** Steel linked / 1.50 m

### Warranty Summary (Full details available on request):

- Materials and workmanship defects warranted for 5 years
- Valves and working parts warranted for 2 years
- Surface warranty defects warranted for 1 year
- O-rings, hoses & gaskets warranted for 1 year

### Care instructions:

- Clean the mixers and showers regularly as required, using soap, do not use any other cleaners.
- Regular cleaning will prevent the build up of lime scale and dirt
- After cleaning rinse thoroughly with clean water to remove any cleaner residue
- Residues of liquid soaps, shampoos and shower foams can also cause damage, so rinse with clean water after using, avoid contact with any abrasives